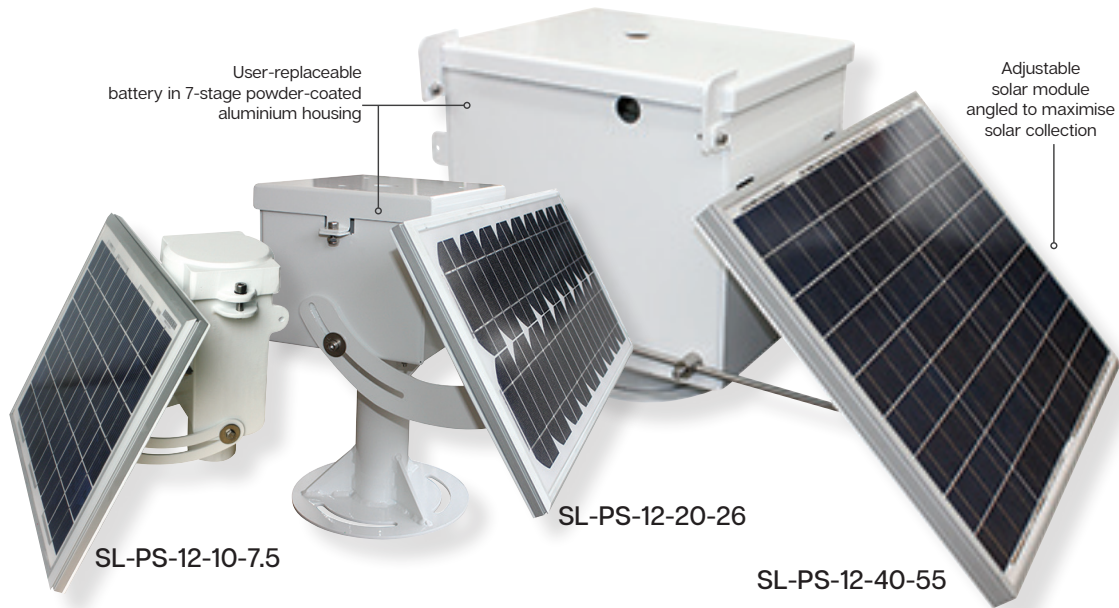


Solar Power Supply Solutions

10-180 watt models



Sealite offers a range solar power supplies to suit stand-alone navigation aid installations, such as marine lanterns and precision sector lights.

The solar power supplies are available in multiple configurations, including various battery and solar sizing, and self-contained or modular options. In addition, Sealite can provide customised designs for unique installation requirements.

Solar Power Supplies

Electrical Characteristics & Specifications*

Model	SL-PS-12-10-7.5	SL-PS-12-20-26	SL-PS-12-40-26	SL-PS-12-40-55
Solar Panel (W)	10W	20W	40W	40W
Battery Size (Ah)	7.5Ah	26Ah	26Ah	55Ah

Model	SL-PS-12-60-55	SL-PS-12-90-110	SL-PS-12-140-110	SL-PS-12-180-110
Solar Panel (W)	60W	90W	140W	180W (2x 90W)
Battery Size (Ah)	55Ah	110Ah	110Ah	110Ah

Model	SL-PS-12-270-110	SL-PS-12-90-220	SL-PS-12-140-220	SL-PS-12-180-220
Solar Panel (W)	270W (3x 90W)	90W	140W	180W (2x 90W)
Battery Size (Ah)	110Ah	220Ah	220Ah	220Ah

Model	SL-PS-12-180-440	SL-PS-12-270-220	SL-PS-12-280-330	SL-PS-12-560-330
Solar Panel (W)	180W (2x 90W)	270W (3x 90W)	280W (2x 140W)	560W (4x 140W)
Battery Size (Ah)	440Ah	220Ah	330Ah	330Ah

* Specifications subject to change or variation without notice
 * Subject to standard terms and conditions

The Sealite Advantage

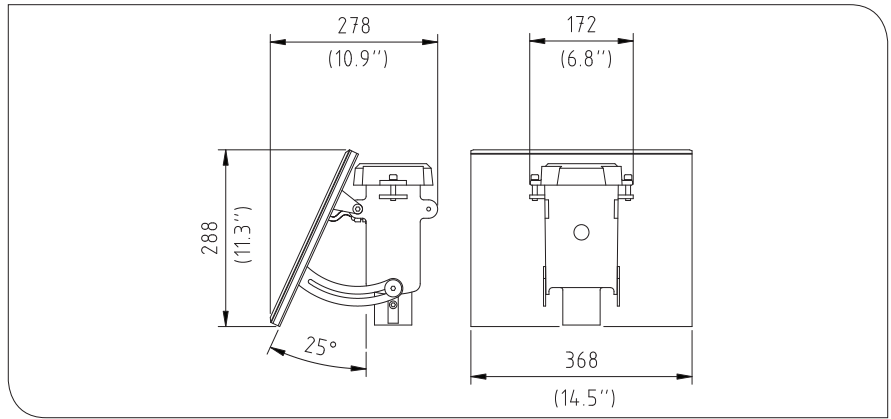
- Power supplies available in multiple configurations & sizes to suit various applications
- Solar panel tilt angle can be set to suit geographical location
- Custom designs available for larger systems or specific installation requirements
- Easy to install and service

Technical Illustrations

SL-PS-12-10-7.5

10 watt power supply, includes;

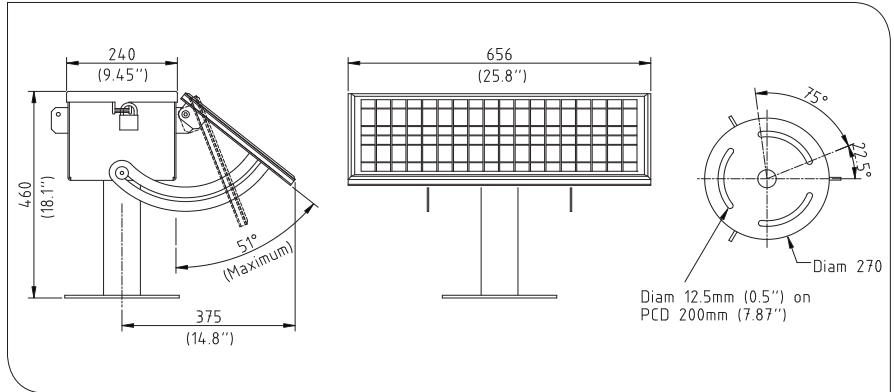
- 1 x 10 watt solar panel
- 1 x 7.5Ah battery
- Delivers 0.58 Amp/hour
- Solar charge controller
- Weatherproof battery housing
- 16mm cable gland in mounting spigot
- Additional 16mm tapped hole with blanking plug



SL-PS-12-20-26

20 watt power supply, includes;

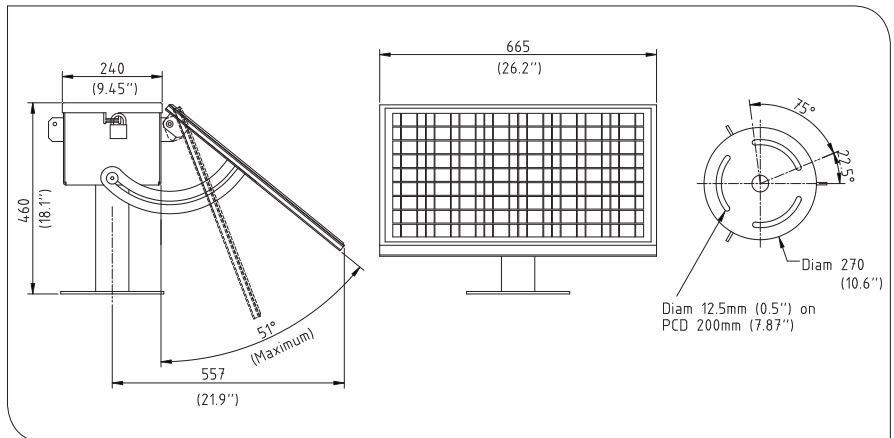
- 1 x 20 watt solar panel
- 1 x 26Ah battery
- Delivers 1.16 Amp/hour
- Solar charge controller
- Weatherproof battery housing
- 16mm cable gland cable access



SL-PS-12-40-26

40 watt power supply, includes;

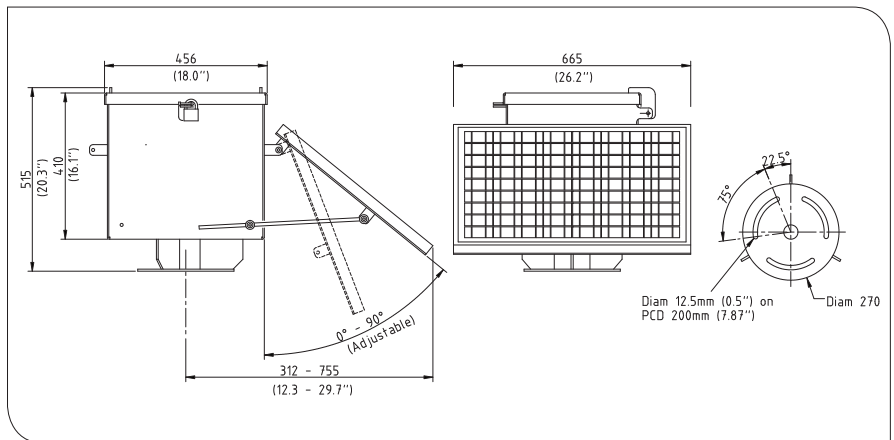
- 1 x 40 watt solar panel
- 1 x 26Ah battery
- Delivers 2.32 Amp/hour
- Solar charge controller
- Weatherproof battery housing
- 16mm cable gland cable access



SL-PS-12-40-55

40 watt power supply, includes;

- 1 x 40 watt solar panel
- 1 x 55Ah battery
- Delivers 2.32 Amp/hour
- Solar charge controller
- Weatherproof battery housing
- Lockable powder coated battery box c/w 200mm bolt pattern mount - Type 2 series
- 16mm cable gland access



† Intensity setting subject to solar availability

* Subject to standard terms and conditions

• Specifications subject to change or variation without notice
 ^ Refer to the Sealite website under the warranty section



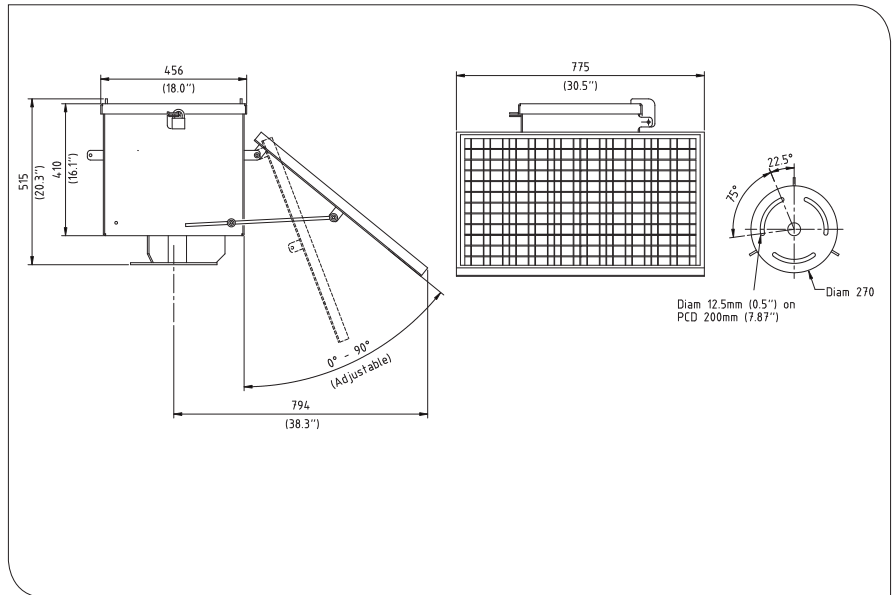
We believe technology improves navigation™

Technical Illustrations

SL-PS-12-65-55

65 watt power supply, includes;

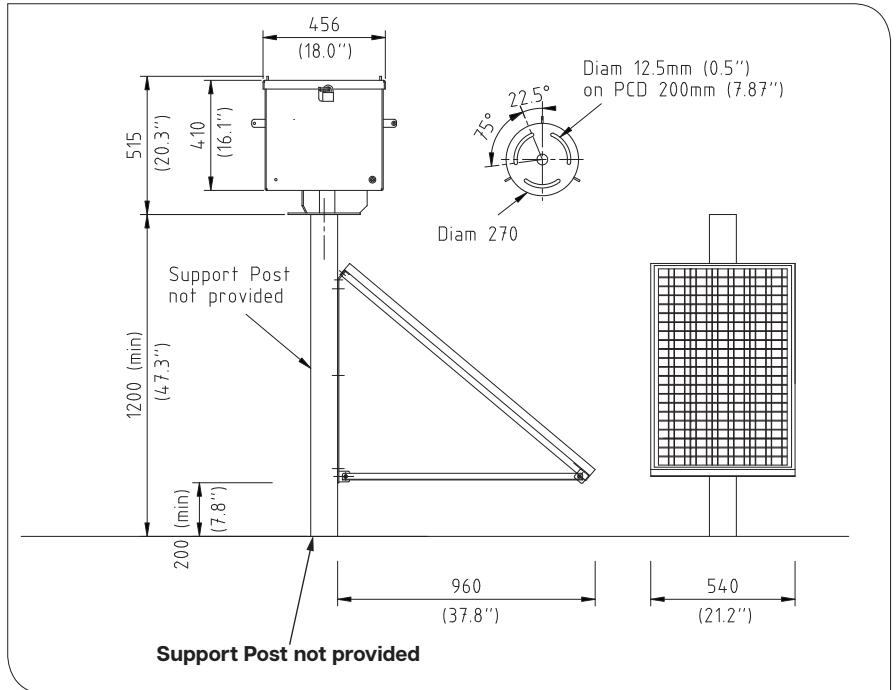
- 1 x 65 watt solar panel
- 1 x 55Ah battery
- Delivers 3.44 Amp/hour
- Solar charge controller
- Weatherproof battery housing
- Lockable powder coated battery box c/w 200mm bolt pattern mount - Type 2 series



SL-PS-12-90-110

90 watt power supply, includes;

- 1 x 90 watt solar panel c/w wall mounting bracket
- 1 x 110Ah batteries
- Delivers 5.17 Amp/hour
- Solar charge controller
- Weatherproof battery housing
- Lockable powder coated battery box c/w 200mm bolt pattern mount - Type 2 series
- 3mtr cabling to solar module & fixtures



† Intensity setting subject to solar availability

* Subject to standard terms and conditions

• Specifications subject to change or variation without notice
 ^ Refer to the Sealite website under the warranty section



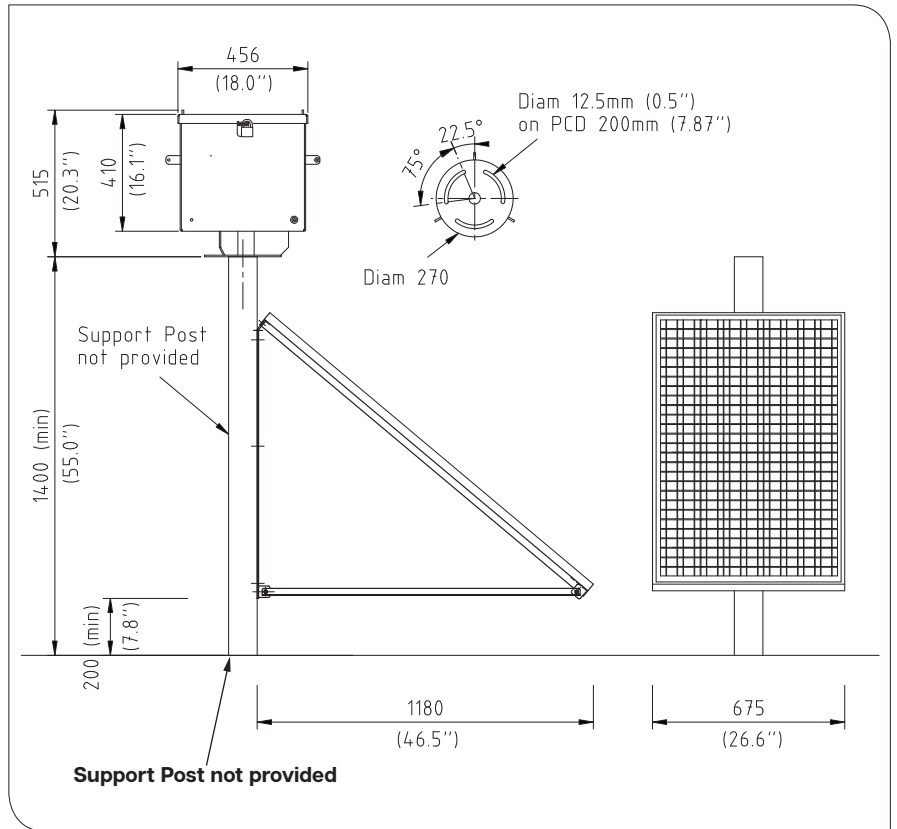
We believe technology improves navigation™

Technical Illustrations

SL-PS-12-140-110

140 watt power supply, includes;

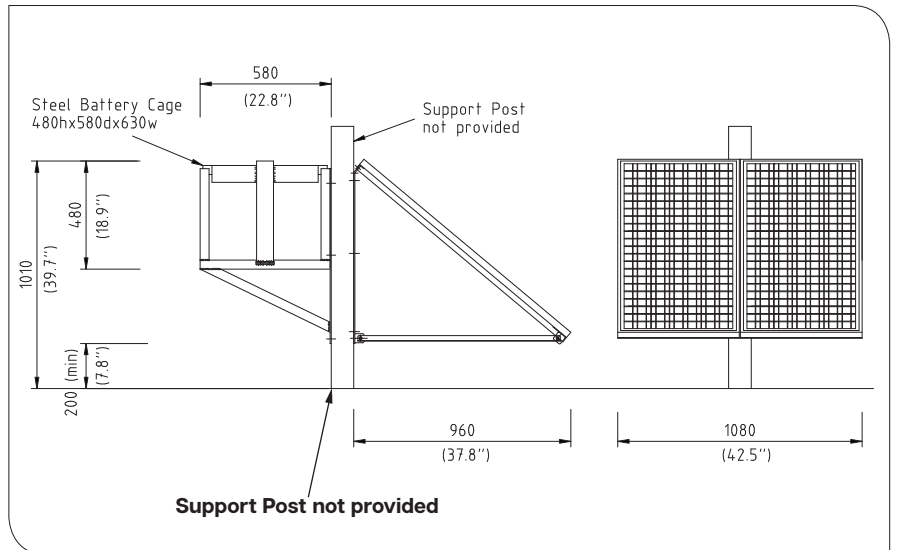
- 1 x 140 watt solar panel c/w wall mounting bracket
- 1 x 110Ah battery
- Delivers 8.14 Amp/hour
- Solar charge controller
- Weatherproof battery housing
- Lockable powder coated battery box c/w 200mm bolt pattern mount - Type 2 series
- 3mtr cabling to solar module & fixtures



SL-PS-12-180-220

180 watt power supply, includes;

- 2 x 90 watt solar panel c/w wall mounting bracket
- 2 x 110Ah batteries
- Delivers 10.34 Amp/hour
- Solar charge controller
- Weatherproof battery housing
- Lockable powder coated battery cage (wall mounting)
- 3mtr cable to solar module & fixtures



† Intensity setting subject to solar availability

* Subject to standard terms and conditions

• Specifications subject to change or variation without notice
 ^ Refer to the Sealite website under the warranty section



We believe technology improves navigation™