

# 13–19NM Long Range Lantern

SL-300 Series – SL-300-2D5-1 & SL-300-2D5-2



The SL-300-2D5 Series are 13 to 19NM long range marine lanterns with 2.5 degree vertical distribution, suitable for a range of applications.

## High Intensity, Small Form Factor

The SL-300-2D5 series offers multiple intensity adjustments to over 46,000cd luminous intensity in a single tier (over 93,000cd in a 2-tier configuration). The small form factor provides minimal wind loading and convenient handling – delivering significant advantages over traditional larger lens stack assemblies.

## Advanced Thermal Management

The SL-300-2D5 Series features precision lower, mid and upper heat sinking. The custom designed heat sinks are interconnected, and designed to maintain an appropriate LED temperature across a wide range of duty cycles, enabling the lanterns to run efficiently whilst maintaining a compact size.

## Advanced PC or IR Programming

Sealite's convenient PC Configuration Tool or IR programmer allows a host of features to be user set including;

- Multiple intensity settings
- 310 flash settings including custom character
- Automatic effective intensity adjustment
- Adjustable on/off lux levels
- Low battery threshold
- GPS synchronisation offset
- Alarm conditions

## Optional GPS Synchronisation

For flash synchronisation of lanterns a GPS module may be fitted.

## Optional GSM Monitoring & Control

The SL-300-2D5 Series may also be fitted with a GSM module for monitoring and control – enabling users to access real-time diagnostic data and change lantern settings via cell-phone.



Precision upper heat sink



Shown with optional GPS antenna

## The Sealite Advantage

- Over 46,000cd luminous intensity white - single tier
- Over 93,000cd luminous intensity white - two tier
- Compact two tier lantern up to 19NM visible range
- PC or IR Programmer for setup, diagnostic & testing
- Internal or external photocell options
- User configurable day/night lux levels
- Advanced remote monitoring features
- Wide operating voltage range 21–58VDC
- Internal data-logging for long term retention of key operational parameters & alarm conditions
- General purpose inputs (two) & outputs (two)

## Technical Specifications\*

SL-300 Series	2.5° Single Tier Model	2.5° Two Tier Model
	SL-300-2D5-1	SL-300-2D5-2
<b>Light Characteristics</b>		
Light Source	High efficiency LEDs	
Available Colours	White. Other colours available on request	
Typical Maximum Intensity (cd) <sup>†</sup>	White - 46,700 cd Red - 21,000 cd Green - 18,000 cd	White - 93,400 cd Red - 42,000 cd Green - 36,000 cd
Visible Range (NM)	AT @ 0.74: 13–17.5 AT @ 0.85: 19.2–26.9	AT @ 0.74: 18–19 AT @ 0.85: 27.8–29.6
Horizontal Output (degrees)	0° - 360°	
Vertical Divergence (degrees)	>2.5	
Available Flash Characteristics	Up to 310 including 256 IALA recommended, & 1 custom	
Intensity Adjustments	User adjustable	
LED Life Expectancy (hours)	>100,000	
<b>Electrical Characteristics</b>		
Voltage Range (V)	24-48V DC	
Nominal Voltage (V)	24V DC	
Peak Power (W)	384	768
Average Power (W)	132	264
<b>Physical Characteristics</b>		
Body Material	Marine grade two part epoxy coating to resist the elements	
Lens Material	UV-stabilised acrylic	
Lens Diameter (mm/inches)	298 / 11¾	
Lens Design	Multiple LED optic	
Mounting	3 & 4 hole 200mm bolt pattern	
Height (mm/inches)	216 / 8½	342 / 13¾
Width (mm/inches)	298 / 11¾	298 / 11¾
Mass (kg/lbs)	8.8 / 19%	18 / 39%
Product Life Expectancy	Up to 12 years	
<b>Environmental Standards</b>		
Shock	MIL-STD-202-213 Test condition H	
Vibration	MIL-STD-202-204 Test Condition B (5g)	
Ice Loading	Rated to withstand 22kg/m <sup>2</sup>	
Temperature Range	-40 to 80°C	
Wind Exposure	Rated to withstand 140 knots	
Humidity	0 - 100%, condensing	
Driving Rain	at 45° from vertical	
<b>Certifications</b>		
Immunity	EN 61000-6-1: 2007 (IEC61000-6-1: 2005).	
Emission	EN 61000-6-4: 2007 (IEC 61000-6-4: 2006) + A1: 2001	
FCC Part 15 Rules	IFCC Part 15 Subpart B	
IALA	Signal colours compliant to IALA E-200-1	
Quality Assurance	ISO 9001:2015	
Waterproof	IP68	
<b>Intellectual Property</b>		
Trademarks	SEALITE® is a registered trademark of Sealite Pty Ltd	
<b>Warranty*</b>		
3-year warranty		
<b>Options Available</b>		
<ul style="list-style-type: none"> <li>• GPS Synchronisation</li> <li>• AIS Type 1 or Type 3</li> <li>• GSM Monitoring &amp; Control System</li> <li>• RS232/422/485 Port</li> <li>• General purpose inputs (2) &amp; outputs (2)</li> <li>• Variety of solar/battery configurations                             <ul style="list-style-type: none"> <li>• Bird deterrent spikes</li> <li>• Serial programming cable</li> </ul> </li> </ul>		

\*AIS option will be with external Type 1 or Type 3 AIS transponder

\*Refer to the Sealite website under the warranty section

We believe technology improves navigation™



Sealite Pty Ltd  
Australia  
☎ +61 (0)3 5977 6128

Sealite Asia Pte Ltd  
Singapore  
☎ +65 6829 2243

Sealite United Kingdom Ltd  
UK  
☎ +44 (0) 1502 588026

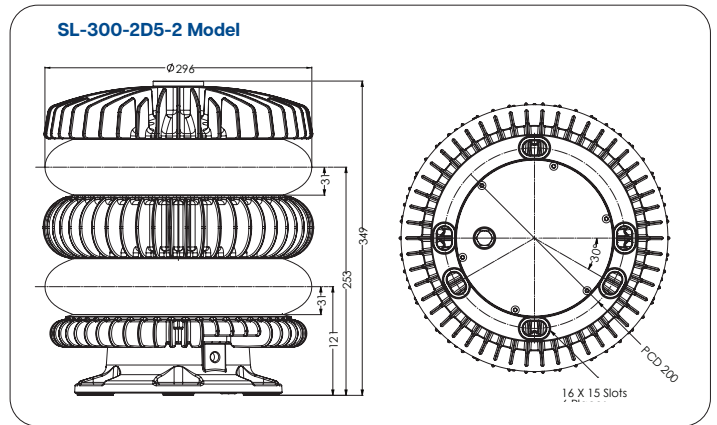
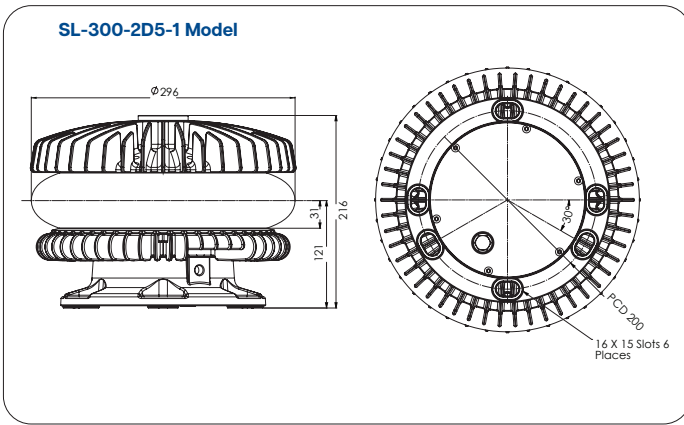
Sealite USA LLC  
USA  
☎ +1 (603) 737 1311



Specifications subject to change or variation without notice \* Subject to standard terms and conditions † Intensity setting subject to solar availability



## Technical Illustrations



### HOW TO ORDER

13–19NM Long Range Lantern

SL-300-2D5-[tiers]-[colour]-[?]-[?]

**Product No.:** \_\_\_\_\_

**Model:** \_\_\_\_\_  
2D5 = 2.5° Divergence

**Tiers:** \_\_\_\_\_  
1 = Single tier  
2 = Two tier

**Colour:** \_\_\_\_\_  
W = White  
(other colours available on request)

**Monitoring & Control:** \_\_\_\_\_  
GSM = GSM  
GPS = GPS Synchronisation  
AIS1 = AIS Type 1  
AIS3 = AIS Type 3  
[blank] = No monitoring & control

**RS Communications Port:** \_\_\_\_\_  
RS = RS communications port  
[blank] = No RS communications port

Note: Please contact your Sealite representative for optional power supply solutions

### HOW TO ORDER

Solar Power Supply

SL-PS-110-140-01

**Product No.:** \_\_\_\_\_

**Battery Capacity:** \_\_\_\_\_  
110 = 110 Ah

**Solar Output:** \_\_\_\_\_  
140 = 140 watts

**Mount Type:** \_\_\_\_\_  
01 = post mount

We believe technology improves navigation™



Sealite Pty Ltd  
Australia  
☎ +61 (0)3 5977 6128

Sealite Asia Pte Ltd  
Singapore  
☎ +65 6829 2243

Sealite United Kingdom Ltd  
UK  
☎ +44 (0) 1502 588026

Sealite USA LLC  
USA  
☎ +1 (603) 737 1311

