

# 2-3NM+ Solar Marine Lantern

SL-60



This equipment complies with requirements of the U.S. Coast Guard in 33 CFR part 66

The Sealite SL-60 is the world's most popular and versatile 2-3NM+ solar marine light.

The SL-60 can be installed in minutes and requires no operator intervention. The flash characters are easily adjusted onsite by the user, and the lantern has a permanent ON/OFF switch for easy storage.

The SL-60 comes with standard rotary switches for convenient in-field changes of flash characters and intensity selection. In addition, the unit may be provided with an IR programmer for added functionality.

Programmable features include; flash code adjustment, battery diagnostics, lux adjustment, ON/OFF and hibernation mode.

## Optional GPS Synchronisation

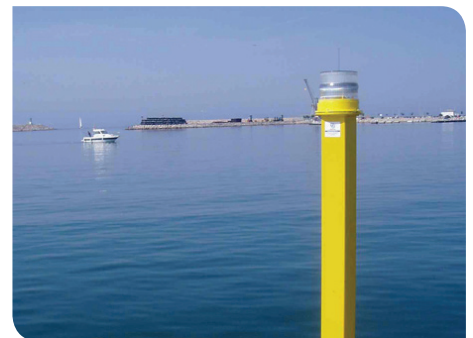
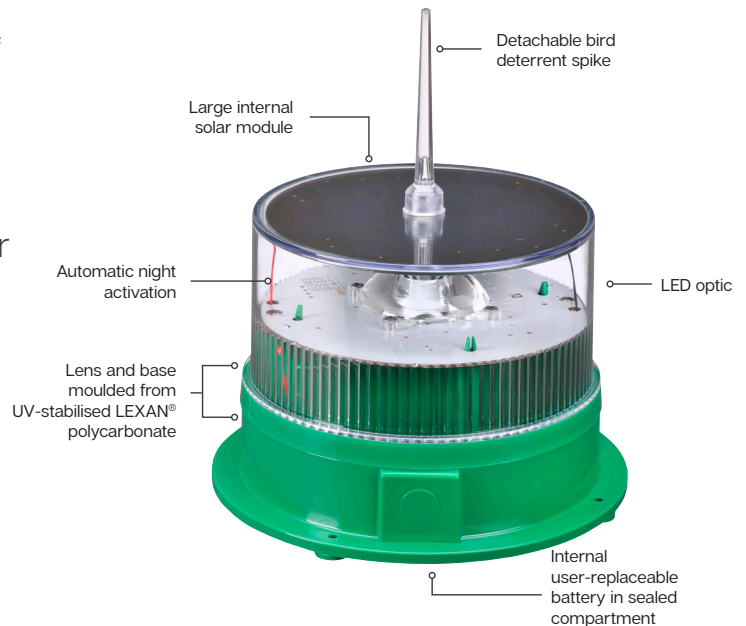
The SL-60 is available with optional GPS Synchronisation. Two (2) or more lights can be synchronised to flash in unison via an internal GPS module. When lanterns flash in synchronisation they can be clearly distinguished from other nav aids and confusing background lighting – ideal for rivers, marina entrances, channel marking and aquaculture.

## Optional 200mm Bolt Pattern Base

The SL-60 is available with optional large 200mm bolt pattern to suit installation requirements.

## Optional Larger Battery Pack

In regions where additional autonomy is required, the SL-60 can be supplied with a larger 8Ah or 16Ah battery pack - this greatly extends the operational autonomy.



Barcelona, Spain



Sochi, Russia



Shown with optional 200mm bolt pattern base

## User Advantage

- IR programmable
- 256 IALA flash patterns
- User-replaceable battery in sealed battery compartment
- Multiple intensity settings
- ON/OFF storage switch

## Reliable

- NiMH battery for long service life & wide temperature range
- IP68 waterproof

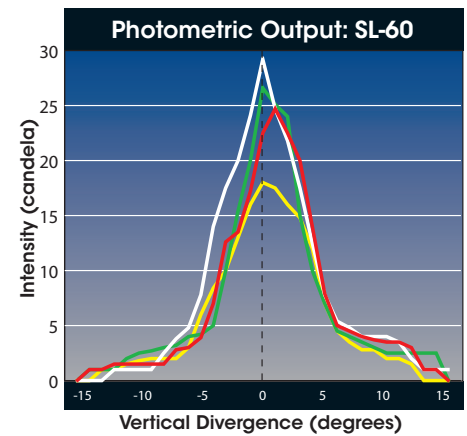
## Optional

- GPS Synchronisation
- 200mm Bolt Pattern Base
- Larger Battery Pack

## Technical Specifications \*

SL-60	
<b>Light Characteristics</b>	
Light Source	LED
Available Colours	Red, Green, White, Yellow, Blue
Typical Maximum Intensity (cd)*	Red - 24.7 Green - 26.6 White - 29.2 Yellow - 18.8
Visible Range (nm)	AT @ 0.74: 2-3+ AT @ 0.85: 2.3-3.5+
Horizontal Output (degrees)	360
Vertical Divergence (degrees)	7
Available Flash Characteristics	Up to 256 IALA recommended (user adjustable)
Intensity Adjustments	Adjustable in 25% increments
LED Life Expectancy (hours)	>100,000
<b>Electrical Characteristics</b>	
Current Draw (mA)	Refer to Sealite Power Calculator
Circuit Protection	Integrated
Nominal Voltage (V)	3.6
Autonomy (days)	>20 (14 hour darkness, 12.5% duty cycle)
Temperature Range	-40 to 80°C
<b>Solar Characteristics</b>	
Solar Module Type	Monocrystalline
Output (watts)	1.6
<b>Power Supply</b>	
Battery Type	High grade NiMH
Battery Capacity (Ah)	4
Nominal Voltage (V)	3.6
<b>Physical Characteristics</b>	
Body Material	LEXAN® Polycarbonate – UV-stabilised
Lens Material	LEXAN® Polycarbonate – UV-stabilised
Lens Diameter (mm/inches)	150 / 5 <sup>7/8</sup>
Lens Design	Single LED optic
Mounting	4 x 4.5mm mounting holes
Height (mm/inches)	205 / 8 <sup>1/8</sup>
Width (mm/inches)	177 / 7
Mass (kg/lbs)	0.9 / 2 <sup>1/8</sup> (SL-60LB 1 / 2 <sup>1/4</sup> , SL-60-8AH 1 / 2 <sup>1/4</sup> , SL-60LB-8AH 1.1 / 2 <sup>1/2</sup> , SL-60LB-16AH 1.5 / 3 <sup>1/3</sup> )
Product Life Expectancy	Up to 12 years
<b>Certifications</b>	
CE	EN61000-6-1:2007. EN61000-6-3:2007
IALA	Signal colours compliant to IALA E-200-1
Quality Assurance	ISO 9001:2015
Waterproof	IP68
<b>Intellectual Property</b>	
Trademarks	SEALITE® is a registered trademark of Sealite Pty Ltd
Warranty *	3 years
Options Available	<ul style="list-style-type: none"> <li>IR Programmer</li> <li>GPS Synchronisation</li> <li>8Ah battery</li> <li>16Ah battery</li> <li>200mm bolt pattern base (standard for UK versions)</li> <li>50mm pole mount adapter plate</li> </ul>

## Photometric Output

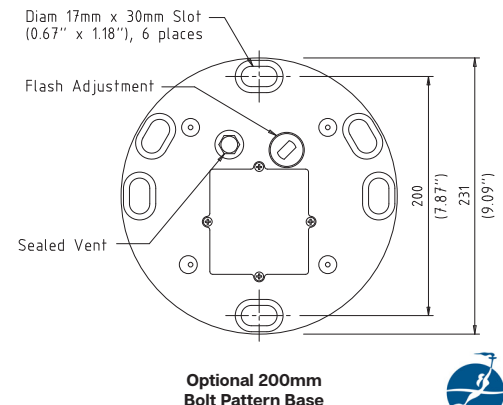
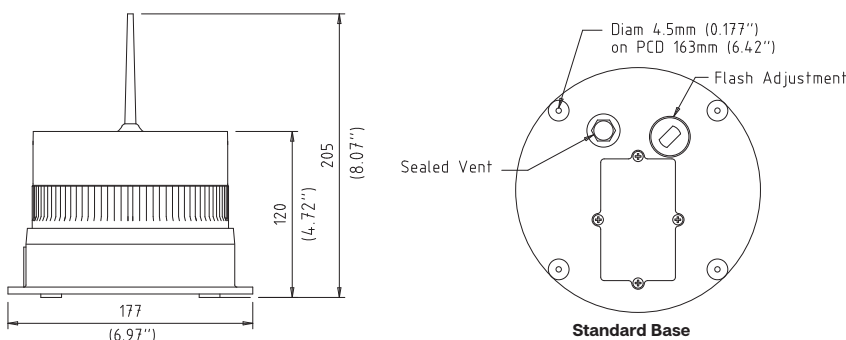


Typical Maximum Intensity (cd)	
SL-60	
RED	24.7
GREEN	26.6
WHITE	29.2
YELLOW	18.8



User-replaceable battery

## Technical Illustrations



We believe technology improves navigation™