

# 2200mm dia. Ocean Buoy

NAUTILUS-2200

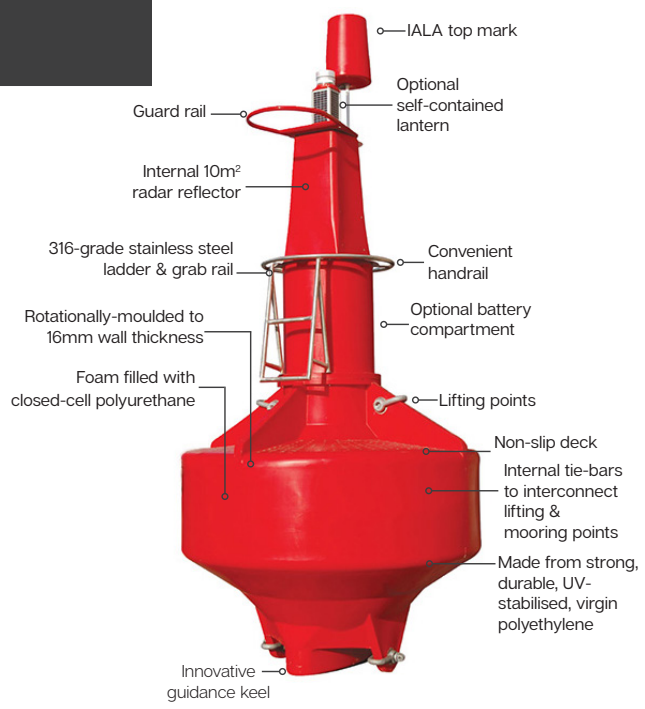
Sealite have a range of mooring chains & accessories - ask your representative today how we can supply your complete mooring solution



Sealite buoy products are made from recyclable materials. As a service to customers, individual components and products at the end of their service life may be returned to Sealite for recycling.



AIS enabled NAUTILUS-2200



The NAUTILUS-2200 is a robust, rotationally-moulded polyethylene ocean buoy designed for offshore, port and coastal applications.

The buoy is rotationally-moulded by Sealite from UV-stabilised, virgin polyethylene, and has a 2.2mtr float diameter and 3.2mtr lantern focal height. Lantern focal height may be increased up to 4mtrs.

Built in a 2-part modular design, the buoy can be setup in any IALA recommended assembly, and consists of a high-visibility float section with non-slip tread, and a tower section to support considerable payload.

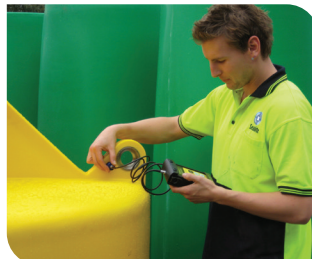
The twin lifting and mooring eyes are interconnected by stainless steel tie bars through the hull structure – offering enormous strength and superior longevity of the navaid.

Five (5) buoys can be shipped in a 40ft container economically to almost any destination.

The Sealite NAUTILUS-2200 is one of the largest buoys available to incorporate a one-piece, rotationally-moulded hull section, and represents exceptional value for port operators around the world.



The tower and battery compartment allows for incorporation of additional batteries to drive ancillary equipment and increase the working autonomy of the navaid in lower sunlight conditions.



Ultrasonic testing ensures consistency of wall thickness in key areas such as mooring points.



NAUTILUS-2200 Buoys mark the scuttled ex-HMAS Canberra, Port Phillip Bay, Melbourne, Australia

## The Sealite Advantage

- High visibility red, green, white or yellow as per IALA recommendations
- Robust construction, 2-part modular design
- Lightweight
- Large battery & payload section
- Excellent buoyancy & stability
- Easy to deploy & service
- No painting, ever
- Cost effective & environmentally friendly
- Replaceable mooring bush inserts
- 316-grade internal steelwork minimises corrosion



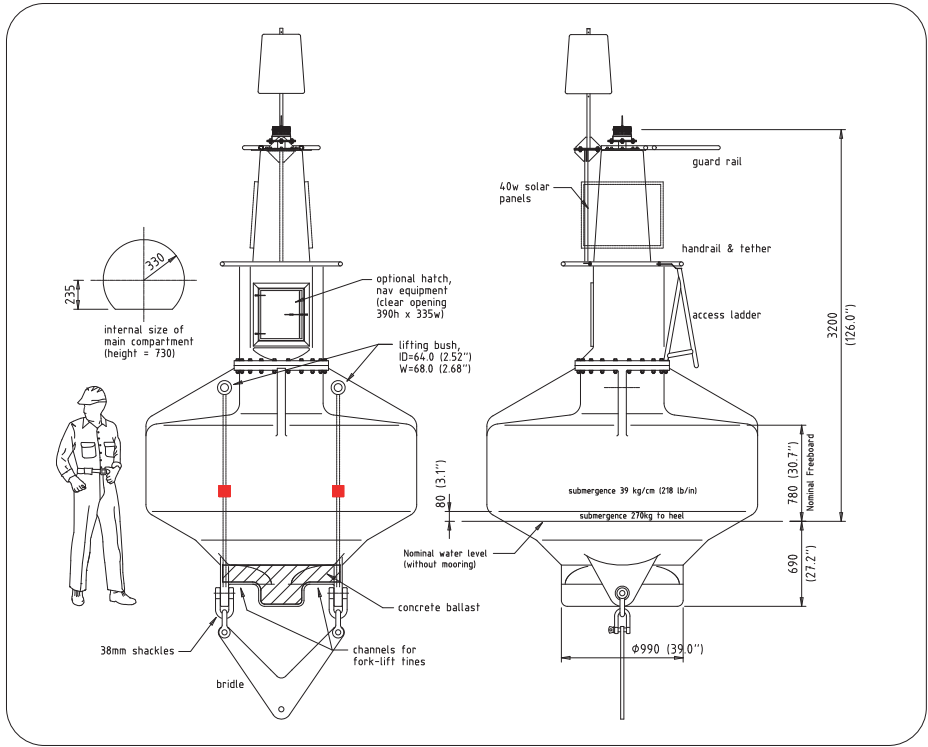
Sealite Pty Ltd  
Australia  
+61 (0)3 5977 6128

Sealite Asia Pte Ltd  
Singapore  
+65 6829 2243

Sealite United Kingdom Ltd  
UK  
+44 (0) 1502 588026

Sealite USA LLC  
USA  
+1 (603) 737 1311





Technical Specifications.\*

SPECIFICATIONS.*		NAUTILUS-2200
<b>General Characteristics</b>		
Available Colours	Red, Green, White, Yellow as per IALA Recommendations	
Focal Plane Height (mm/inches)	3200 / 126	
Total Float Volume (ltrs/US gallon)	4370 / 1154	
Nominal Freeboard (mm/inches)	780 / 30 <sup>3</sup> / <sub>4</sub>	
Nominal Draft (mm/inches)	690 / 27 <sup>1</sup> / <sub>2</sub>	
Total Reserve Buoyancy (kgs/lbs)	3670 / 8090	
Operational Buoyancy (kgs/lbs)	1050 / 2315	
Maximum Mooring Load (kgs/lbs)	1025 / 2260	
Draft, Maximum (mm/inches)	960 / 37 <sup>3</sup> / <sub>4</sub>	
Freeboard, Minimum (mm/inches)	510 / 20 <sup>1</sup> / <sub>2</sub>	
Submergence (kg/cm, lb/inches)	39 / 218	
Visual Area (m <sup>2</sup> /ft <sup>2</sup> )	3 / 32.3	
<b>Physical Characteristics</b>		
Material	Rotationally-moulded UV-stabilised virgin polyethylene, internal 316-grade stainless steel bracing, 316-grade stainless steel grab rail and ladder	
Wall Thickness (mm/inches)	16 / <sup>5</sup> / <sub>8</sub> (float section)	
Ballast (kg/lbs)	350 / 772 internal concrete	
Filling	Closed-cell polyurethane foam (float section)	
Height (mm/inches)	4120 / 162 <sup>1</sup> / <sub>4</sub>	
Width (mm/inches)	2200 / 86 <sup>3</sup> / <sub>4</sub>	
Mass (kg/lbs)	830 / 1830	
Radar Reflector	Echomax 230 Midi (RSC 10m <sup>2</sup> per RORC/ORC)	
Product Life Expectancy	>20 years ^	
<b>Handling/Lifting</b>		
Safe Working Load, 1pt (kg/lbs)	1950 / 4300	
Safe Mooring Load, 1pt (kg/lbs)	1025 / 2260	
Safe Working Load, 2pt (kg/lbs)	4950 / 10912	
Safe Mooring Load, 2pt (kg/lbs)	4000 / 8818	
<b>Certifications</b>		
Quality Assurance	ISO9001:2015	
<b>Intellectual Property</b>		
IALA	Surface colours compliant to IALA E-108	
Trademarks	SEALITE® is a registered trademark of Sealite Pty Ltd	
Warranty *	5 years	
Lantern Options	Sealite SL-75, SL-C310 Series, SL-C510 Series, SL-125 Series or SL-155 Series	
Options Available	<ul style="list-style-type: none"> <li>• Custom signage</li> <li>• Day marks</li> <li>• Rotationally-moulded side-panelling</li> <li>• Monitoring Systems (AIS, GSM, SATCOM)</li> <li>• Solar panel supplies</li> </ul>	

\* Subject to standard terms and conditions  
 \* Specifications subject to change or variation without notice  
 ^ Refer to the Sealite website under the warranty section



We believe technology improves navigation™



Sealite Pty Ltd  
Australia  
+61 (0)3 5977 6128

Sealite Asia Pte Ltd  
Singapore  
+65 6829 2243

Sealite United Kingdom Ltd  
UK  
+44 (0) 1502 588026

Sealite USA LLC  
USA  
+1 (603) 737 1311

