

# 2-3NM+ Solar Marine Lantern

SL-70

Optional



IR Programmer



GPS Sync

This equipment complies with requirements of the U.S. Coast Guard in 33 CFR Part 66 as well as 33 CFR Part 67 for Class 'C' structures

The Sealite SL-70 is exceptional in its unique ability to be able to 'track the sun' and operate reliably in low sunlight conditions. The SL-70 has been proven to operate as a 2-3+ nautical mile compact buoy lantern in various low sunlight environments such as Britain, Canada and Europe.

Made from tough, durable polycarbonate and using the latest high intensity LEDs, the SL-70 lantern boasts dual high-performance solar modules. These solar modules are angled to obtain maximum sunlight capture, allowing the unit to operate reliably in a range of low sunlight environments.

The SL-70 can be installed in minutes and requires no operator intervention. The flash characters are easily adjusted onsite by the user, and the lantern has a permanent ON/OFF switch for easy storage.

The SL-70 comes with standard rotary switches for convenient in-field changes of flash characters and intensity selection. In addition, the unit may be provided with an IR programmer for added functionality. Programmable features include; flash code adjustment, battery diagnostics and lux adjustment.

## Optional GPS Synchronisation

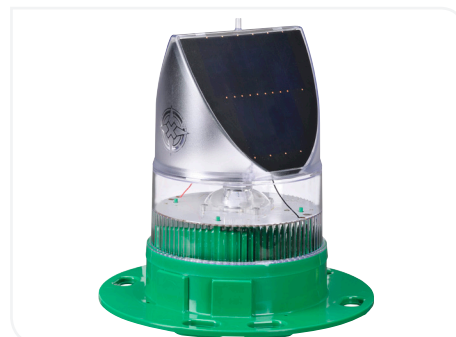
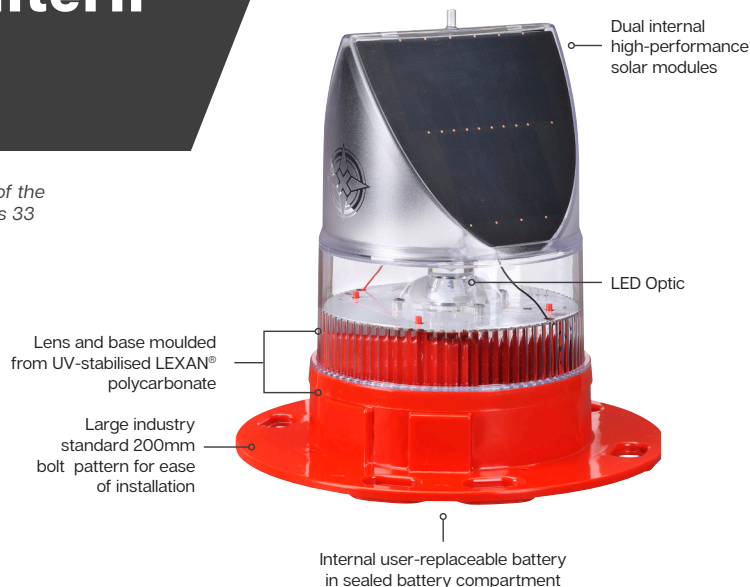
The SL-70 is available with optional GPS Synchronisation. Two (2) or more lights can be synchronised to flash in unison via an internal GPS module. When lanterns flash in synchronisation they can be clearly distinguished from other nav aids and confusing background lighting – ideal for rivers, marina entrances, channel marking and aquaculture.

## Optional Light Configuration

In high sunlight regions, the SL-70 intensity settings may be increased to provide a range of >3 nautical miles (colour dependant).

## Optional Larger Battery Pack

In regions where additional autonomy is required, the SL-70 can be supplied with a larger 16Ah battery pack - this greatly extends the operational autonomy.



## Cost Effective

- Solar Powered
- No running costs
- Low ongoing maintenance costs

## High Performance

- Dusk-to-dawn or on demand operation

## Reliable

- No bulbs blown – ever
- Latest LED technology
- No Moving parts

## Easy Install

- No trenching of cables
- No mains power

## Optional Add Ons

- Infrared Output
- Radio Control
- Mounting Solutions

## Technical Specifications\*

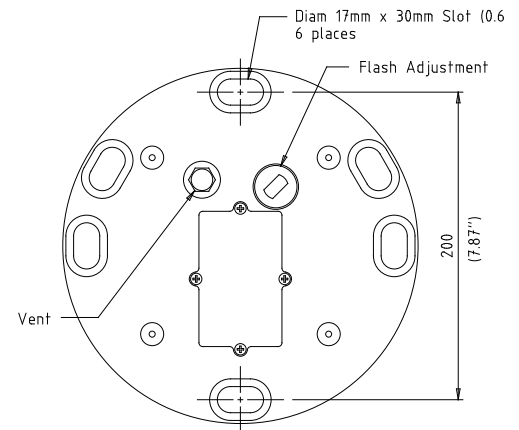
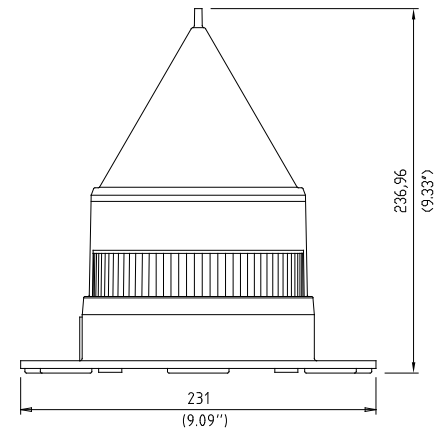
SL-70	
<b>Light Characteristics</b>	
Light Source	LED
Available Colours	Red, Green, White, Yellow, Blue
Typical Maximum Intensity (cd) <sup>†</sup>	Red - 24.7 Green - 26.6 White - 29.2 Yellow - 18.8
Visible Range (NM)	AT @ 0.74: 2-3+ AT @ 0.85: 2.3-3.5+
Horizontal Output (degrees)	360
Vertical Divergence (degrees)	7
Available Flash Characteristics	Up to 256 IALA recommended (user adjustable)
Intensity Adjustments	Multiple intensity settings
LED Life Expectancy (hours)	>100,000
<b>Electrical Characteristics</b>	
Current Draw (mA)	Refer to Sealite Power Calculator
Circuit Protection	Integrated
Nominal Voltage (V)	3.6
Autonomy (days)	>30 (14 hour darkness, 12.5% duty cycle)
Temperature Range	-40 to 80°C
<b>Solar Characteristics</b>	
Solar Module Type	Monocrystalline
Output (watts)	3.5 (2 x 1.75watt)
<b>Power Supply</b>	
Battery Type	High grade NiMH
Battery Capacity (Ah)	8
Nominal Voltage (V)	3.6
<b>Physical Characteristics</b>	
Body Material	LEXAN® Polycarbonate – UV-stabilised
Lens Material	LEXAN® Polycarbonate – UV-stabilised
Lens Diameter (mm/inches)	150 / 5 <sup>7/8</sup>
Lens Design	Single LED Optic
Mounting	200mm bolt pattern
Height (mm/inches)	240 / 9 <sup>1/2</sup>
Width (mm/inches)	231 / 7 <sup>1/8</sup>
Mass (kg/lbs)	1.4 / 3 <sup>1/8</sup> (SL-70-16AH 1.6 / 3 <sup>1/2</sup> )
Product Life Expectancy	Up to 12 years ^
<b>Certifications</b>	
CE	EN61000-6-1:2007, IEC61000-6-1:2005, EN61000-6-3:2007, IEC61000-6-3:2006
IALA	Signal colours compliant to IALA E-200-1
Quality Assurance	ISO 9001:2015
Waterproof	IP68
<b>Intellectual Property</b>	
Trademarks	SEALITE® is a registered trademark of Sealite Pty Ltd
Warranty *	3 years
Options Available	<ul style="list-style-type: none"> <li>IR Programmer</li> <li>GPS Synchronisation</li> <li>16Ah battery</li> <li>50mm pole mount adapter plate</li> </ul>



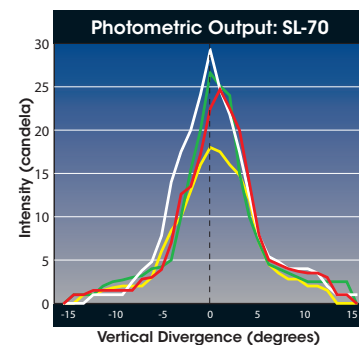
User-replaceable battery

We believe technology improves navigation™

## Technical Illustrations



## Photometric Output



### Typical Maximum Intensity (cd)

	SL-70
<b>RED</b>	24.7
<b>GREEN</b>	26.6
<b>WHITE</b>	29.2
<b>YELLOW</b>	18.8

