

# AV07 LED Obstruction Light

## Typical Applications

- 12v Obstruction Light (LIOL A)

## Major Benefits

- 5.4km visible range (flashing)
- 12v
- ICAO Approved AV07 12v Obstruction Light (LIOL A)
- Ultra-high intensity LEDs (no changing globes ever)



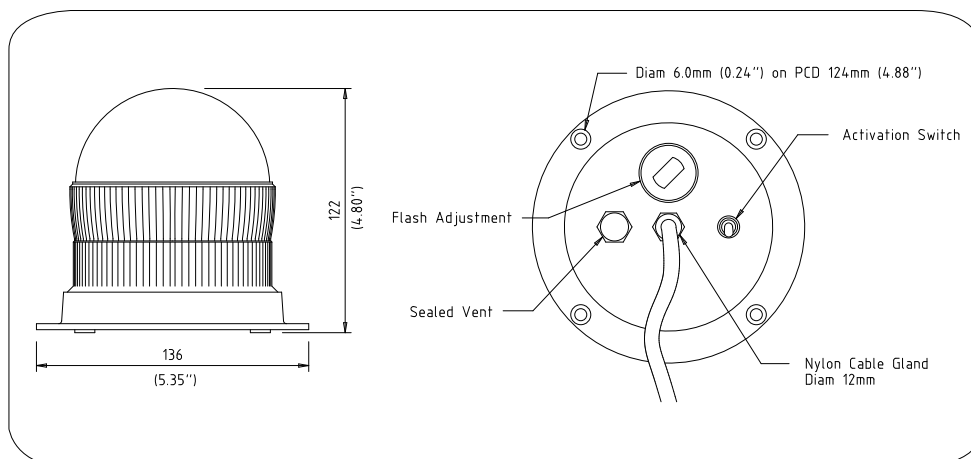
**The AV07 is a low intensity 12 volt LED marker and obstruction light fixture designed to comply with ICAO requirements for obstructions whereby the height does not exceed 45mt (LIOL A).**

Offering superior visibility, the AV07 operates in conjunction with existing or purpose-built power supplies.

The company's optical engineering experience is demonstrated with the precision alignment and focus of the LEDs, made possible through the use of the 360° LED Reflector (US Pat. No. 6,667,582. AU Pat. No. 778,918), increasing the intensity and uniformity of the horizontal output.

Flash adjustment is achieved via two rotary switches accessed through the base of the light.

This equipment meets the requirements of a Low Intensity Type A Obstruction Light, ICAO Annex 14 volume 1, "Aerodrome Design and Operations", Forth Edition July 2004.



## SPECIFICATIONS •

### Light Characteristics

Light Source	20 ultra-high intensity LEDs
Available Colours	Red (other colours available)
Peak Intensity (cd)	>25 flashing, >10 fixed-on
Visible Range (nm)	>3 flashing, >2 fixed-on
Horizontal Output (degrees)	360
Vertical Divergence (degrees)	0 to +10
Reflector Type	Omnidirectional 360° LED Reflector (US Pat. No. 6,667,582. AU Pat. No. 778,918)
Available Flash Characteristics	>250 including fixed-on (user-adjustable)
Intensity Adjustments	Adjustable in 25% increments
LED Life Expectancy (hours)	>100,000

### Electrical Characteristics

Current Draw (mA)	120
Circuit Protection	Integrated
Operating Voltage (v)	12
Temperature Range	-40 to 80 °C

### Physical Characteristics

Body Material	LEXAN® Polycarbonate – UV stabilized
Lens Material	LEXAN® Polycarbonate – UV stabilized
Lens Diameter (mm/inches)	110 / 4 <sup>1</sup> / <sub>3</sub>
Lens Design	External optics with interior flute design
Mounting	4 x 6mm mounting holes
Height (mm/inches)	122 / 4 <sup>4</sup> / <sub>5</sub>
Width (mm/inches)	136 / 5 <sup>3</sup> / <sub>8</sub>
Mass (kg/lbs)	0.6 / 1 <sup>1</sup> / <sub>3</sub>
Product Life Expectancy	Up to 12 years

### Certifications

CE	EN61000-6-3:1997. EN61000-6-1:1997
Quality Assurance	ISO9001:2000
Waterproof	IP68

### Intellectual Property

Patents	US Pat. No. 6,667,582. AU Pat. No. 778,918
Trademarks	AVLITE® is a registered trademark of Avlite Systems

### Warranty

Full 3 year warranty

### Options Available

- GPS synchronization
- Additional cable
- Hardwired synchronization
- Other LED colours to suit different applications
- IR

CE

• Specifications subject to change or variation without notice