

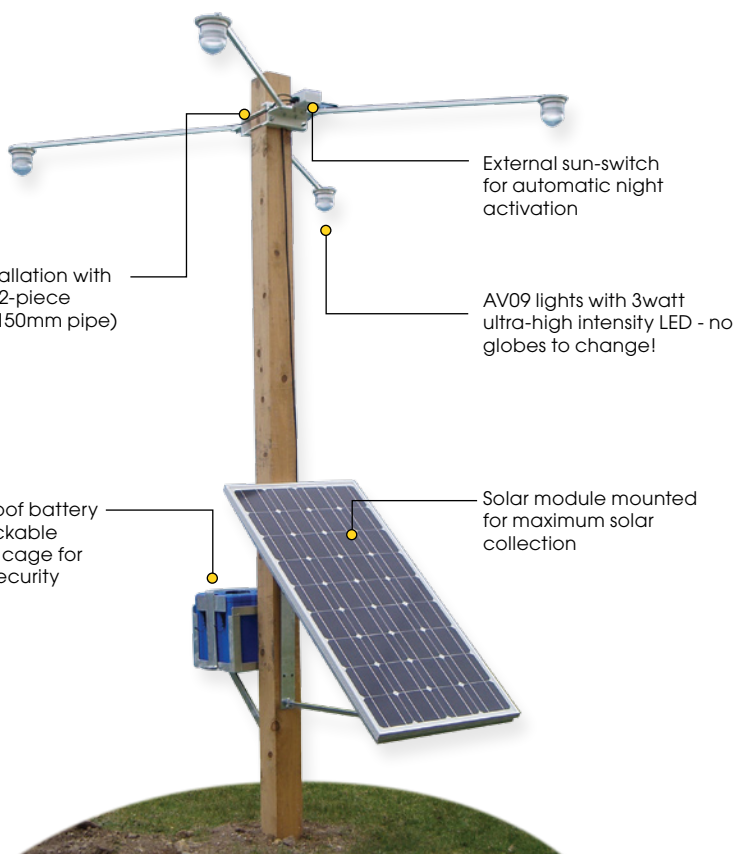
# AV09-4WL Solar Windsock Light Kit

## Typical Applications

- Solar Windsock Light Kit

## Major Benefits

- Integrated solar/battery system
- 120watt solar module (standard)
- 96Ah SLA battery (standard)



Solar Windsock Lights installed at US Army bases throughout Iraq

### Avlite Systems' AV09-4WL Solar Windsock Light provides users with a complete, reliable and low maintenance solution to windsock illumination.

This complete windsock lighting kit incorporates four (4) AV09 lights mounted onto 12mm powder-coated square tubing arms, a 120watt multicrystalline solar module and mounting bracket, and 96Ah SLA battery housed in a rotationally moulded weatherproof battery box with galvanized lockable cage for improved security.

Each AV09 light incorporates a 3watt ultra-high intensity LED as a light source offering up to 100,000 hours of service- no need to change any globes! And with low power consumption and external sun-switch for automatic night activation, the AV09-4WL is a fantastic alternative to traditional hard-wired or fluorescent products.

The AV09-4WL can be installed immediately, facing either down over the top of the windsock, or upward from beneath, and requires no costly underground wiring. The complete kit comes packaged in a 155x69x76cm pallet for ease of shipping- a complete unit ready for immediate installation!

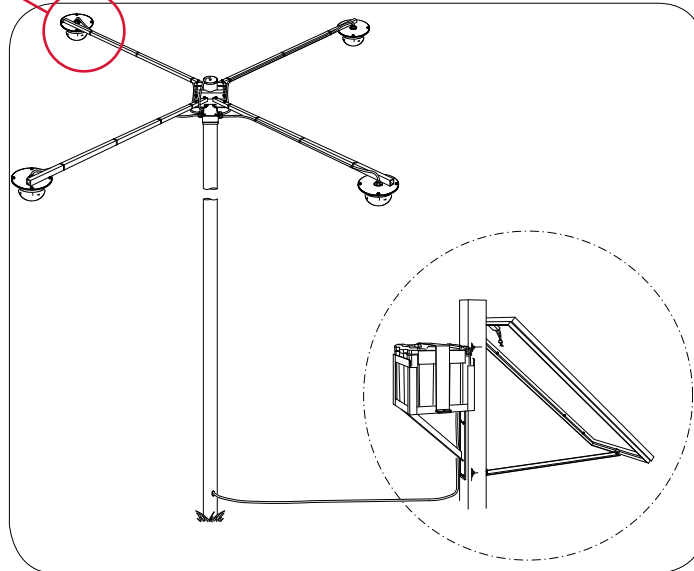
## Available with GSM Monitoring

GSM enables operators to remotely monitor the status of their installations, and can be configured to send out warning SMS text messages to designated mobile telephone numbers.

# AV09-4WL



A 3watt LED mounted to the top of the circuit board ensures maximum light output for windsock illumination



### SPECIFICATIONS •

#### Light Characteristics

Light Source  
Available Colours  
Peak Intensity (cd)  
Vertical Divergence (degrees)  
LED Life Expectancy (hours)

4 LED clusters in LEXAN® domed luminaires  
White  
>50  
120  
>100,000

#### Electrical Characteristics

Current Draw  
Circuit Protection  
Operating Voltage (v)  
Autonomy (days)  
Temperature Range

1 amp  
Polarity protected  
12  
8  
-40 to 80 °C

#### Solar Characteristics

Solar Module Type  
Output (watts)

Multicrystalline  
120

#### Power Supply

Battery Type  
Battery Capacity (Ah)  
Nominal Voltage (v)

SLA (Sealed Lead Acid)  
96  
12

#### Certifications

CE  
Quality Assurance

EN61000-6-3:1997, EN61000-6-1:1997  
ISO9001:2000

#### Intellectual Property

Trademarks

AVLITE® is a registered trademark of Avlite Systems

#### Warranty

Full 3 year warranty

#### Options Available

• GSM or radio remote activation

CE

• Specifications subject to change or variation without notice



### AVLITE SYSTEMS

11 Industrial Drive  
Somerville Victoria 3912 Australia  
Ph: +61 (0)3 5977 6128 Fax: +61 (0)3 5977 6124  
Web: www.avlite.com Email: info@avlite.com

