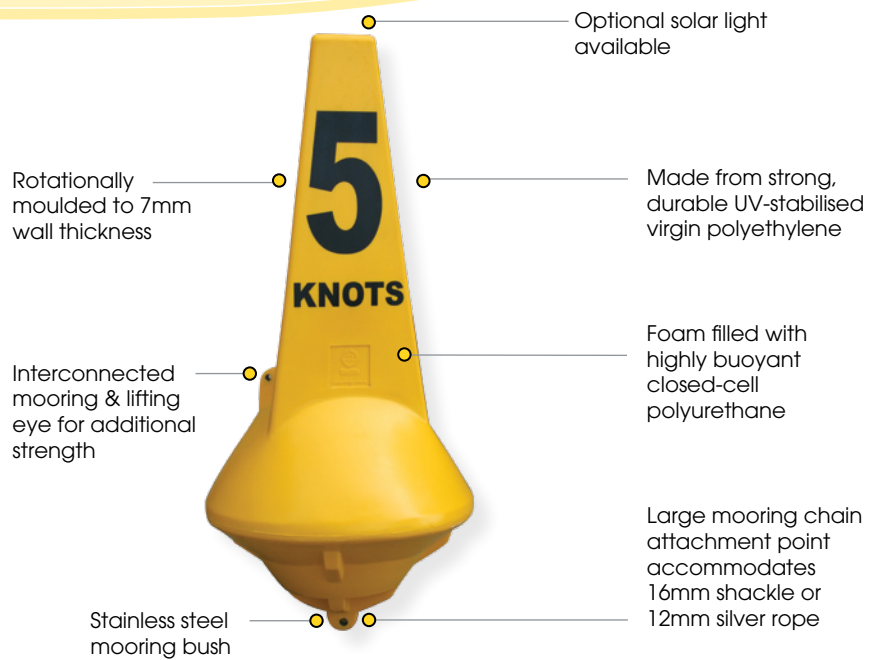


# SLB700

700mm dia. Marker Buoy



SLB700 shown with permanent mould-in graphics

## The Sealite Advantage

- High visibility red, green, white or yellow as per IALA recommendations
- Range of mooring equipment & chain available
- Excellent buoyancy & stability
- Mould-in signage to suit customer requirements

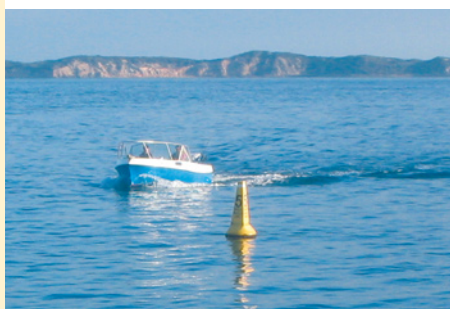
**The SLB700 is a short-range buoy ready for immediate installation. Typical applications include day and night channel, speed zone, restricted area marking and aquaculture.**

The SLB700 is extremely long-lasting, and is moulded in strong, durable UV-stabilised polyethylene. A large mooring chain attachment point accommodates a 16mm shackle or 12mm silver rope.

The SLB700 incorporates an interconnected mooring and lifting eye for additional strength, and enables a wider range of installations than the smaller SLB600.

The SLB700 is substantially larger than the SLB600, with approximately twice the buoyancy. The top section of the SLB700 has 3 threaded studs, moulded into the buoy to enable easy mounting of either the SL15 1nm, or SL60 or SL70 2nm Solar Lights.

The SLB700 can be economically shipped around the globe, with approx. 105pcs and 210pcs being packed in 20ft and 40ft shipping containers respectively.



Range of mould-in graphics such as "No Boats" available



**Head Office:**  
Sealite Pty Ltd  
AUSTRALIA

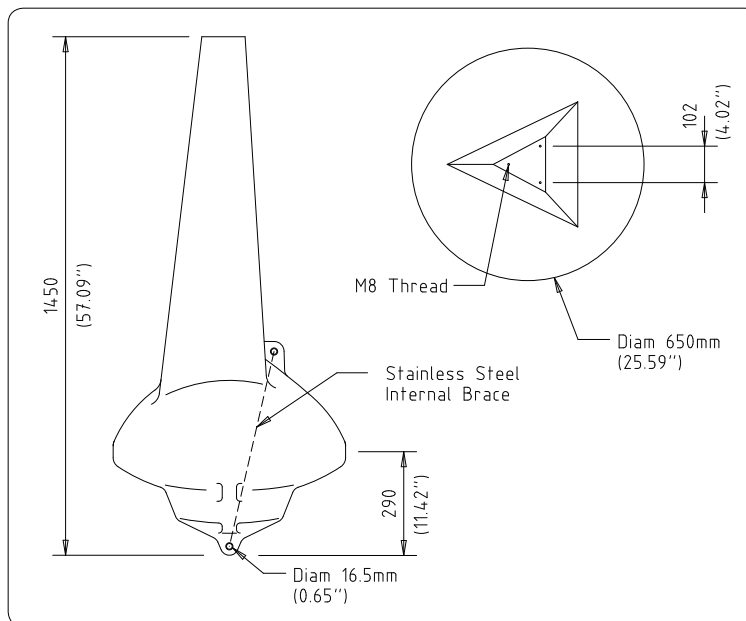
Ph. +61 (0)3 5977 6128  
Fax. +61 (0)3 5977 6124  
Internet: [www.sealite.com.au](http://www.sealite.com.au)  
Email: [info@sealite.com.au](mailto:info@sealite.com.au)

**USA Customers:**  
Sealite USA  
USA (Gilford, NH)

Ph. (603) 524-6066  
Fax. (603) 524-8100  
Internet: [www.sealiteusa.com](http://www.sealiteusa.com)  
Email: [info@sealiteusa.com](mailto:info@sealiteusa.com)

# SLB700

## 700mm dia. Marker Buoy



### SPECIFICATIONS •

#### General Characteristics

Available Colours	Red, Green, White, Yellow as per IALA Recommendations
Focal Plain Height (mm/inches)	1265 / 49 <sup>3</sup> / <sub>4</sub>
Total Reserve Buoyancy (kg/lbs)	60 / 132
Draft, Typical (mm/inches)	240 / 9 <sup>1</sup> / <sub>2</sub>
Freeboard (mm/inches)	190 / 7 <sup>1</sup> / <sub>2</sub>
Maximum Mooring Load (kg/lbs)	60 / 132

#### Physical Characteristics

Material	Rotationally moulded UV-stabilised virgin polyethylene
Wall Thickness (mm/inches)	7 / <sup>1</sup> / <sub>4</sub>
Ballast (kg/lbs)	18 / 40 internal concrete
Filling	Closed-cell polyurethane foam
Height (mm/inches)	1450 / 57 <sup>1</sup> / <sub>8</sub>
Width (mm/inches)	650 / 25 <sup>2</sup> / <sub>8</sub>
Mass (kg/lbs)	33 / 73
Product Life Expectancy	Up to 12 years

#### Certifications

Quality Assurance	ISO9001:2000
-------------------	--------------

#### Intellectual Property

Trademarks	SEALITE® is a registered trade mark of Sealite Pty Ltd
------------	--

#### Warranty \*

1 year

#### Lantern Options

Sealite SL15, SL60 or SL70 lantern

#### Accessory Options

- Mould-in graphics
- Sealite IALA recommended top marks
- Radar reflector

CE

• Specifications subject to change or variation without notice

\* Subject to standard terms and conditions



**Head Office:**  
Sealite Pty Ltd  
AUSTRALIA

Ph. +61 (0)3 5977 6128  
Fax. +61 (0)3 5977 6124  
Internet: [www.sealite.com.au](http://www.sealite.com.au)  
Email: [info@sealite.com.au](mailto:info@sealite.com.au)

**USA Customers:**  
Sealite USA  
USA (Gilford, NH)

Ph. (603) 524-6066  
Fax. (603) 524-8100  
Internet: [www.sealiteusa.com](http://www.sealiteusa.com)  
Email: [info@sealiteusa.com](mailto:info@sealiteusa.com)