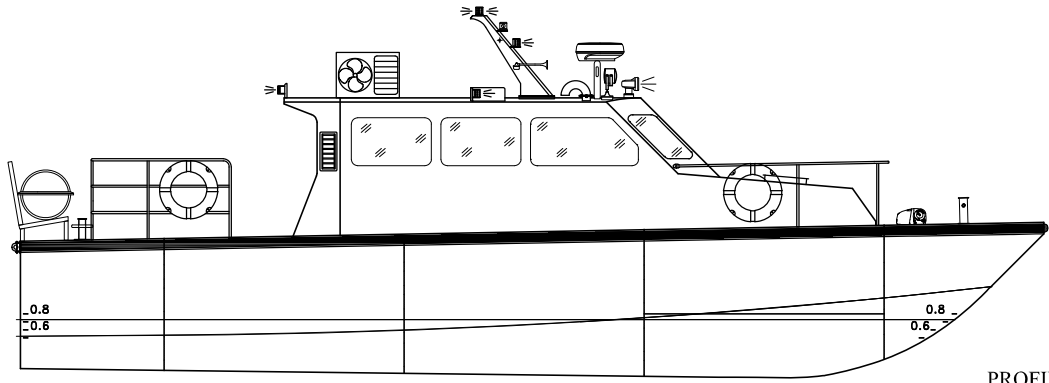
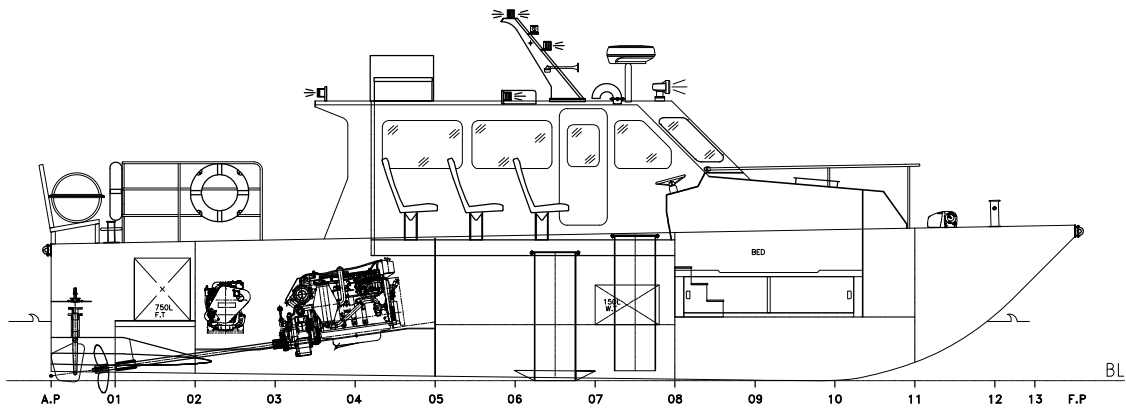


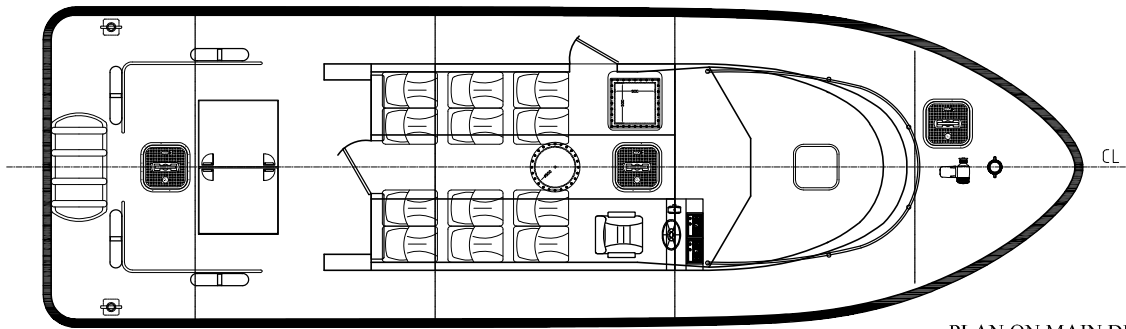
AERO SUCCESS



PROFILE



IMPORT PROFILE



PLAN ON MAIN DECK

- Length Overall(Hull) :12.8m
- Length Waterline :11.4m
- Beam(Maximum) :3.8m
- Draught(Full Load) :0.80m
- Depth Molded :1.83m
- Design Weight :16 Tonnes
- Fuel Capacity :1500 Litres
- Passenger Capacity :12 Crew
- Main Engine :2x350BHP
- Propeller :610/4 Bladed
- Speed(Approx.) :18 Knots

PROPRIETARY INFORMATION  
 THIS DOCUMENT IS PROPRIETARY AND COPYRIGHT. NO DATA OR DESIGN SHALL BE COPIED, REPRODUCED, DISCLOSED OR SUBMITTED TO ANY THIRD PARTY OR USED FOR CONSTRUCTION OR MANUFACTURE WHOLE OR IN PART, OF ANY PRODUCT DEFINED WITHOUT PRIOR WRITTEN CONSENT OF SINA MARINE SERVICE PTE LTD

DESIGNER:		SINA MARINE SERVICE PTE LTD	
BUILDER:		WUHAN GREENBAY MARINE TECHNOLOGY CO. LTD	
PROJECT:		<b>12.8M UTILITY BOAT</b>	
TITLE:		GENERAL ARRANGEMENT	
DRAWN:	RAPHUS	29 Feb 2016	SCALE: 1:60
CHECKED:	VICTOR	29 Feb 2016	DWG NO.: SMS128-GA
			REV: A
			SIZE: A3
			SHEET 1 OF 1