

# 1250mm dia. Navigation Buoy

SL-B1250

Sealite have a range of mooring chains & accessories - ask your representative today how we can supply your complete mooring solution



**Environmentally Friendly & Recyclable**

Sealite buoy products are made from recyclable materials. As a service to customers, individual components and products at the end of their service life may be returned to Sealite for recycling.

**Optional Mould-in Graphics Available**

The SL-B1250, 1250mm dia. Navigation Buoy, has proven its superior performance in many parts of Australia and around the world for long-range river and sea navigation.

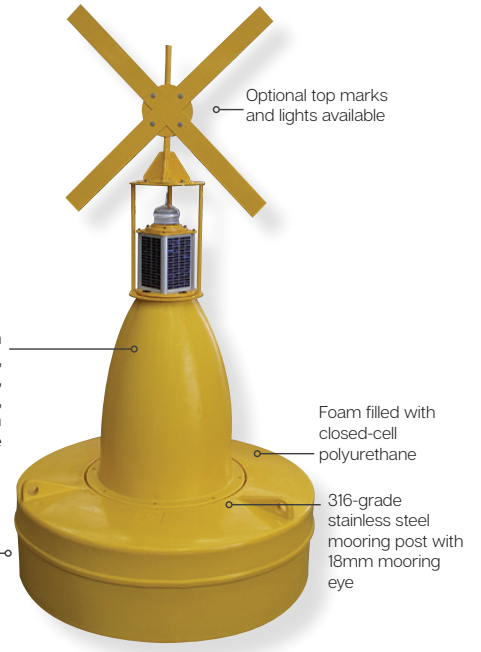
The base is moulded in one-piece, strong, coloured, durable polyethylene – filled with closed-cell polyurethane and UV-stabilised for resistance to sunlight.

The strong, lightweight polyethylene buoy top is moulded in standard IALA high visibility colours and shapes to suit a range of installation requirements.

For superior night visibility, the SL-B1250 navigation buoy may be fitted with a range of Sealite solar LED marine lanterns up to 5NM+.

Brass inserts provide a secure mounting for top, tower and signs. A 316-grade stainless steel eyebolt passes through the base providing a strong mooring chain attachment point.

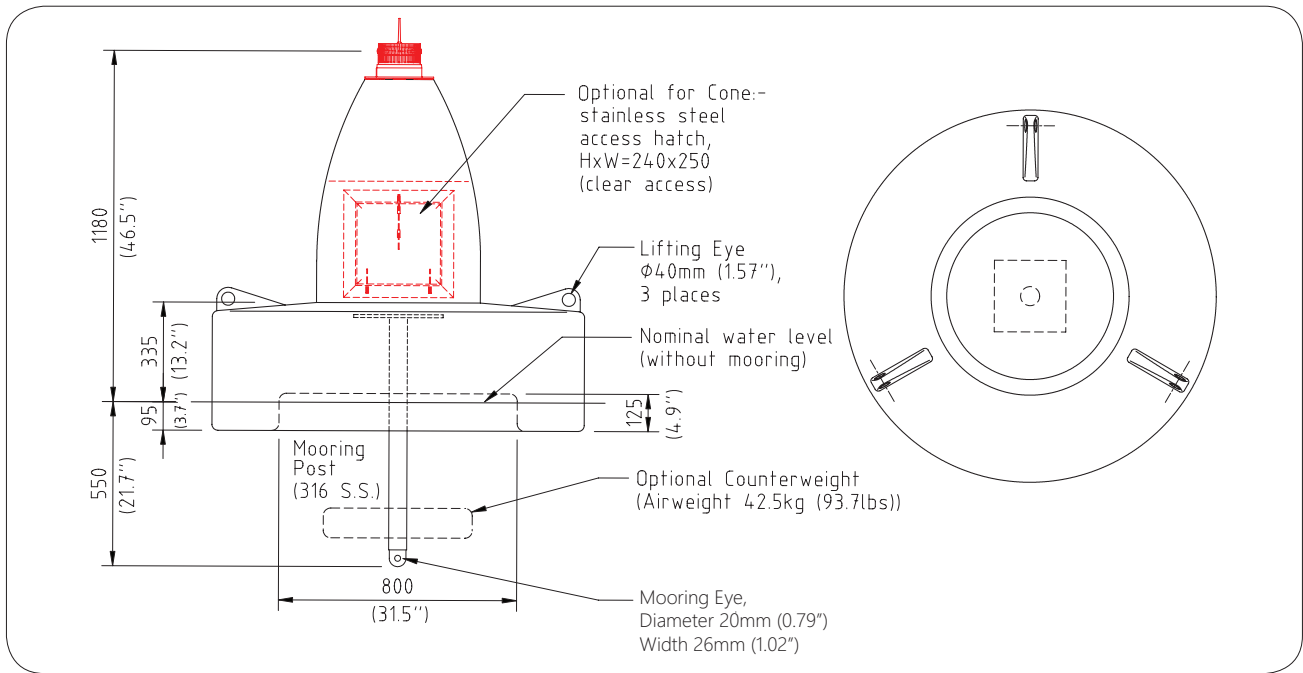
In addition, all hardware and fittings are 316-grade stainless steel.



## The Sealite Advantage

- Single piece float
- Complete unit - ready for immediate installation
- High visibility red, green, white or yellow as per IALA recommendations
- 316-grade stainless steel eye bolt for strong mooring chain attachment point
- Excellent buoyancy & stability

## Technical Illustrations



## Technical Specifications\*

SL-B1250	
<b>General Characteristics</b>	
Available Colours	Red, Green, White, Yellow as per IALA Recommendations
Focal Plane Height (mm/inches)	1180 / 46½
Total Float Volume (ltrs/US gallon)	610 / 161
Nominal Freeboard (mm/inches)	335 / 13¼
Nominal Draft (mm/inches)	550 / 21½
Total Reserve Buoyancy (kgs/lbs)	558 / 1230
Operational Buoyancy (kgs/lbs)	155 / 342
Maximum Mooring Load (kgs/lbs)	155 / 342
Draft, Maximum (mm/inches)	675 / 26¾
Freeboard, Minimum (mm/inches)	210 / 8¼
Submergence (kg/cm, lb/inches)	12.5 / 70
Visual Area (m²/ft²)	0.8 / 8.6
<b>Physical Characteristics</b>	
Material	Rotationally-moulded UV-stabilised virgin polyethylene, 316-grade stainless steel mooring pole
Wall Thickness (mm/inches)	9 / ¾ (float section), 7 / ½ (top section)
Ballast (kg/lbs)	30 / 66 external counter-weight (optional)
Filling	Closed-cell polyurethane foam (float section)
Height (mm/inches)	1180 / 46½
Width (mm/inches)	1250 / 49¼
Mass (kg/lbs)	70 / 154
Product Life Expectancy	Up to 12 years ^
<b>Certifications</b>	
IALA	Surface colours compliant to IALA E-108
Quality Assurance	ISO9001:2015
<b>Intellectual Property</b>	
Trademarks	SEALITE® is a registered trademark of Sealite Pty Ltd
Warranty *	1 year
Lantern Options	Sealite SL-15, SL-60, SL-70, SL-75 or SL-C310 lantern
Options Available	<ul style="list-style-type: none"> <li>• Custom signage</li> <li>• Sealite IALA recommended top marks</li> <li>• External ballast</li> <li>• Radar reflector</li> <li>• Access hatch</li> <li>• Solar power supplies</li> </ul>



Available in a range of IALA colours and configurations, optional mould-in graphics and with a wide range of IALA recommended top marks

We believe technology improves navigation™



Sealite Pty Ltd  
Australia  
☎ +61 (0)3 5977 6128

Sealite Asia Pte Ltd  
Singapore  
☎ +65 6829 2243

Sealite United Kingdom Ltd  
UK  
☎ +44 (0) 1502 588026

Sealite USA LLC  
USA  
☎ +1 (603) 737 1311



\* Specifications subject to change or variation without notice  
 ^ Refer to the Sealite website under the warranty section  
 \* Subject to standard terms and conditions  
 † Intensity setting subject to solar availability

